

VELAJET

VE-3204X

3.2m ECO SOLVENT PRINTER



VELAJET

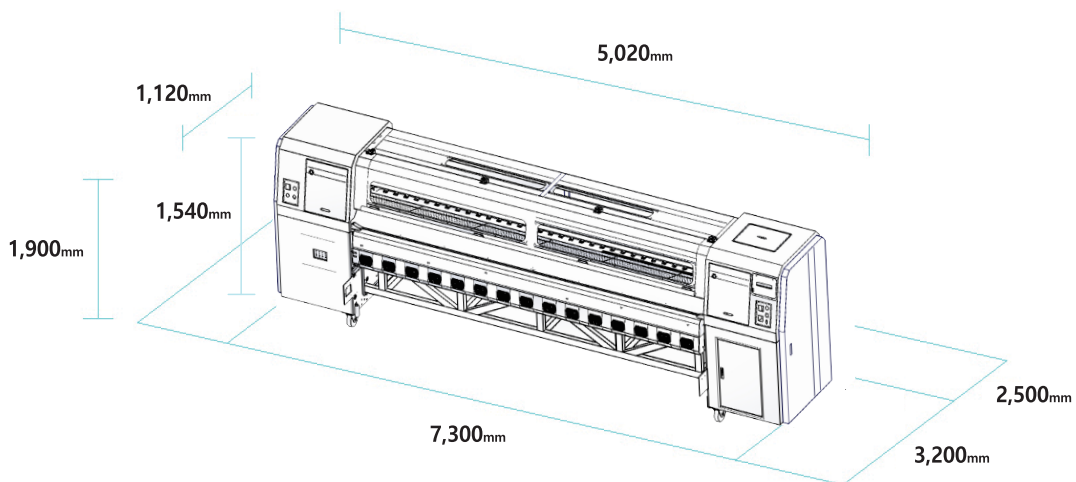
VE-3204X

Print Speed	140m ² /hr	85m ² /hr	70m ² /hr	50m ² /hr
Print Resolution	360 x 720dpi 2Pass	540 x 720dpi 2Pass	720 x 720dpi 4Pass	720 x 1,080dpi 6Pass
Max Print Width	3,320mm			
Max Media Width	3,370mm			
Print Mode	Bi-Direction / Uni-Direction , Normal / Interleave			
Printhead	Panasonic printhead (8 heads)			
Color	4 Colors- Cyan, Magenta, Yellow, Black			
Ink	DGI original Eco solvent Ink			
Interface	TCP / IP , USB 3.0			
Environmental Range	Temperature : 22.5~27.5°C Humidity : 40~70% Environment condition may affect on final printing quality.			
Electricity Requirements	Single Phase 220V (50/60Hz, AC) Main 5A, 6.6Kw		Heater 20A	
Optional equipment	Dual roll printing system (1.6m x 2rolls)			

※ All specifications are subject to change without prior notice.

Dimension for Installation

	Uncrated				Crated			
	Length (mm)	Width (mm)	Height (mm)	Weight (kg)	Length (mm)	Width (mm)	Height (mm)	Weight (kg)
Printer	5,020	1,120	1,540	990	5,200	1,280	1,980	1,640



52, Cheongdam-Ro, Yangju-si, Gyeonggi-do, Korea, 11459
 TEL : +82-31-820-8900 A/S : +82-31-820-8880
 FAX : +82-31-820-8990 E-MAIL : sales@dgi-net.com
www.dgi-net.com
www.facebook.com/dgikorea



ISO 9001:14001 Certified