

POSEIDON

1.6m/1.9m DYE SUBLIMATION

- Print speed 80~115m²/h
- Sleep mode for un-attended operation
- Capable of supporting 6 colors (fluorescent and light colors)



POSEIDON (1.6m)

Print Speed	115m ² /h	80m ² /h	55m ² /h	40m ² /h
Print Resolution	600x600dpi 2Pass	600x600dpi 4Pass	600x900dpi 6Pass	600x1,200dpi 8Pass
Max Print Width	1,620 mm			
Max Media Load	Width : 1,650mm, Diameter : 200mm, Weight : 30kg			
Print Mode	Bi-Direction / Uni-Direction, Normal / Interleave			
Printhead	Kyocera printhead - 2ea / 3ea			
Color	4 Colors (C, M, Y, K) / 6 Colors (C, M, Y, K + Lm, Lc / Fy, Fp)			
Ink	DGI original water based Dye Sublimation Ink			
Interface	TCP / IP , USB 3.0			
Environmental Range	Temperature : 20 ~ 30°C Humidity : 40 ~ 70% Environment condition may affect on final printing quality.			
Electricity Requirements	Printer : Single Phase 200~240V(50~60Hz, AC), 15A Dryer : Single Phase 200~240V(50~60Hz, AC), 10A			

※ All specifications are subject to change without prior notice.

POSEIDON (1.9m)

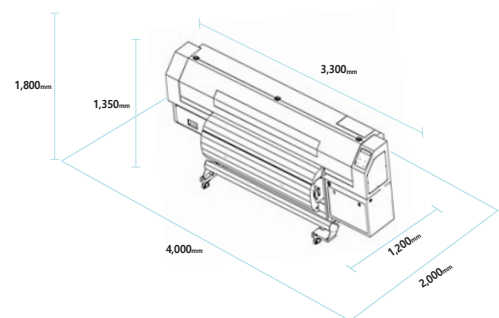
Print Speed	135m ² /h	85m ² /h	60m ² /h	45m ² /h
Print Resolution	600x600dpi 2Pass	600x600dpi 4Pass	600x900dpi 6Pass	600x1,200dpi 8Pass
Max Print Width	1,880 mm			
Max Media Load	Width : 1,900mm, Diameter : 200mm, Weight : 30kg			
Print Mode	Bi-Direction / Uni-Direction, Normal / Interleave			
Printhead	Kyocera printhead - 2ea / 3ea			
Color	4 Colors (C, M, Y, K) / 6 Colors (C, M, Y, K + Lm, Lc / Fy, Fp)			
Ink	DGI original water based Dye Sublimation Ink			
Interface	TCP / IP , USB 3.0			
Environmental Range	Temperature : 20 ~ 30°C Humidity : 40 ~ 70% Environment condition may affect on final printing quality.			
Electricity Requirements	Printer : Single Phase 200~240V(50~60Hz, AC), 15A Dryer : Single Phase 200~240V(50~60Hz, AC), 10A			

※ All specifications are subject to change without prior notice.

Dimensions for Installation

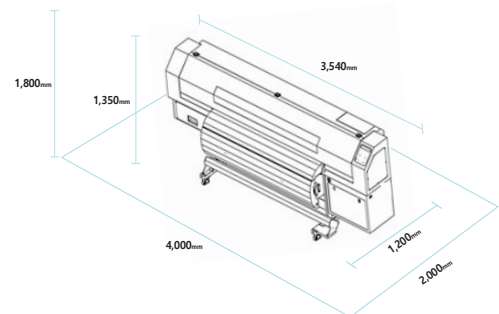
POSEIDON (1.6m)

	Uncrated				Crated			
	Length (mm)	Width (mm)	Height (mm)	Weight (kg)	Length (mm)	Width (mm)	Height (mm)	Weight (kg)
Printer	3,300	1,200	1,350	440	3,500	1,150	1,710	660



POSEIDON (1.9m)

	Uncrated				Crated			
	Length (mm)	Width (mm)	Height (mm)	Weight (kg)	Length (mm)	Width (mm)	Height (mm)	Weight (kg)
Printer	3,540	1,200	1,350	460	3,800	1,150	1,910	680



52, Cheongdam-Ro, Yangju-si, Gyeonggi-do, Korea, 11459
 TEL : +82-31-820-8900 A/S : +82-31-820-8880
 FAX : +82-31-820-8990 E-MAIL : sales@dgi-net.com
www.dgi-net.com
www.facebook.com/dgikorea



ISO 9001:14001 Certified